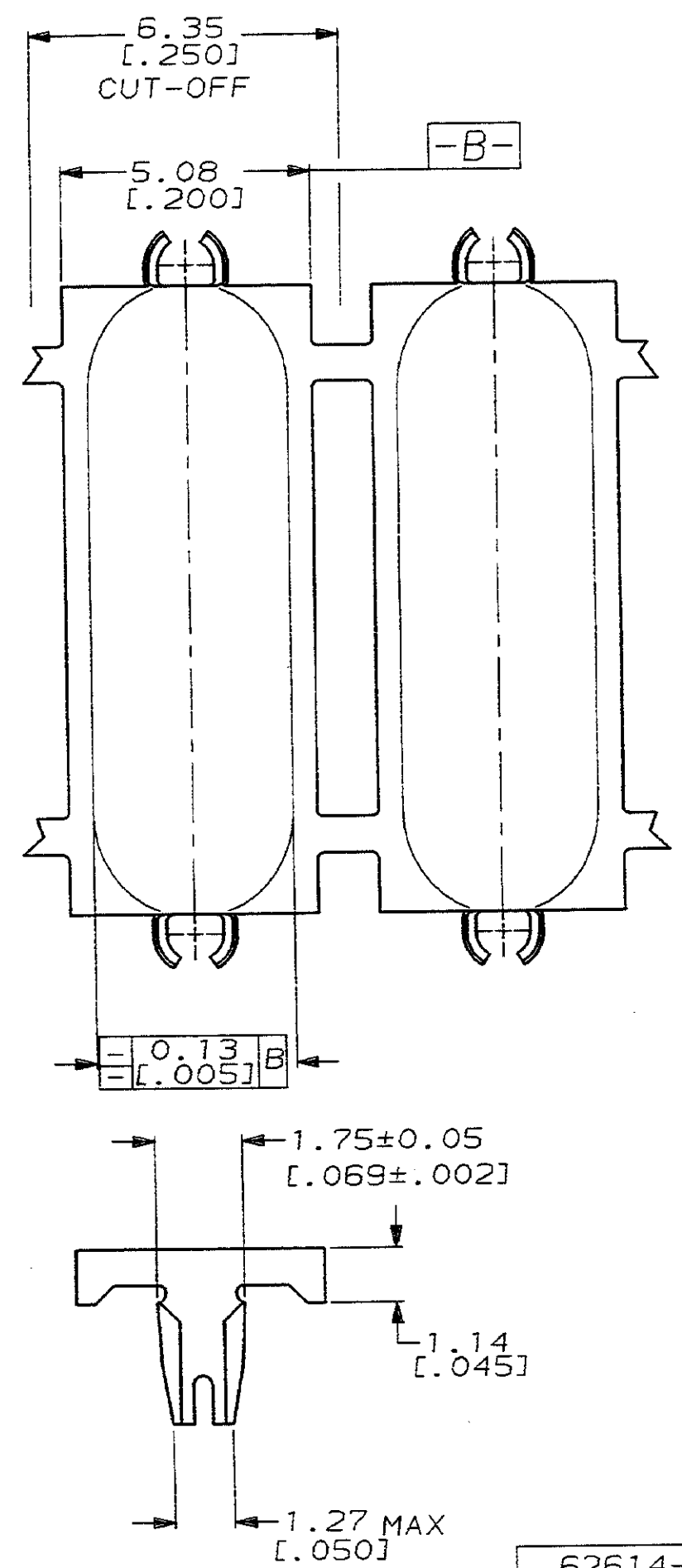
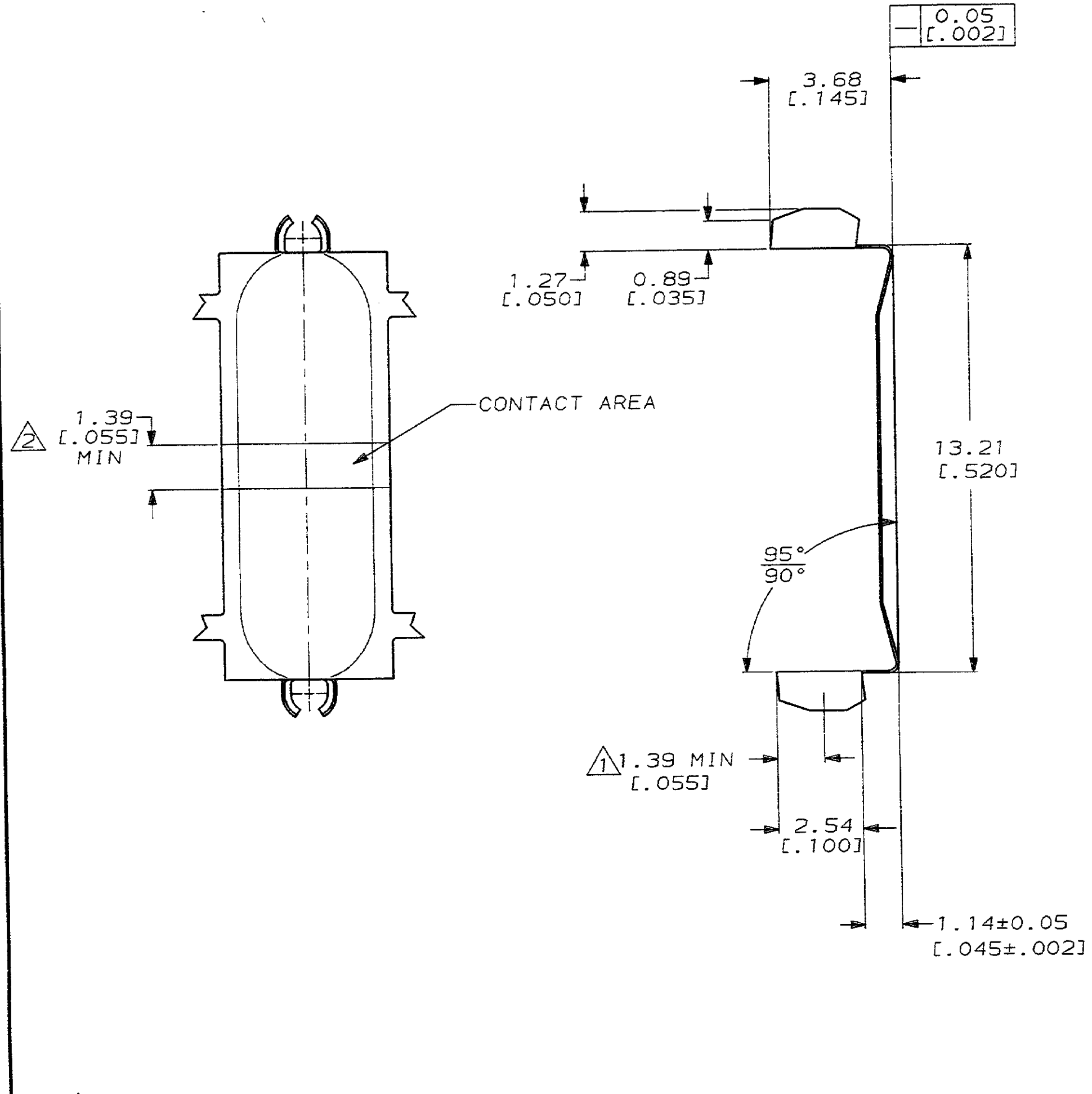


DRAWING MADE IN THIRD ANGLE PROJECTION

THIS DRAWING IS UNPUBLISHED. RELEASED FOR PUBLICATION, 19  
 © COPYRIGHT 19 BY AMP INCORPORATED, HARRISBURG, PA. ALL INTERNATIONAL RIGHTS RESERVED. AMP PRODUCTS MAY BE COVERED BY U.S. AND FOREIGN PATENTS AND/OR PATENTS PENDING.

LOC	DIST	P	F	ZONE	LTR	DESCRIPTION	DATE	APPROVED
AF	52				E	REV & REDWN PER AF-2548	4/13/87	dy
					F	REV PER AF-4822	6/2/87	dy



- 1 TIN ON OUTSIDE OF MOUNTING LEGS ONLY.
- 2 .000030 MIN GOLD IN CONTACT AREA ONLY.
- 3 SEE DWG 62313 FOR BUTTON CONTACT.
- 4 THIS DRAWING IS RESTRICTED FOR FORD MOTOR CO., DELCO REMY, AND VEEDER-ROOT CO.
- 5 DIMENSIONS IN BRACKETS ARE IN INCHES.

**METRIC**

62614-2	ON STRIP	1 2	62644-2
62614-1	ON STRIP	1	62644-1
P/N LOOSE PIECE	REMARKS	FINISH	PART NO

UNLESS OTHERWISE SPECIFIED DIMENSIONS ARE IN mm TOLERANCES ON :	DR D. Hollingsworth 4/8/87	AMP INCORPORATED Harrisburg, Pa. 17105	
2 PL DEC ±0.25 [.010] 3 PL DEC ± - ANGLES ± -	CHK G Yetter 7/8/87	NAME SWITCH, KEYBOARD, HIGH FORCE	
MATERIAL 0.08 [.003] THK STAINLESS STEEL	APPR D.J. Bostma 7/8/87	SIZE C	FSCM NO 00779
FINISH SEE TABLE	PRODUCT SPEC 108-2018	DRAWING NO 62644	SCALE 8:1
	APPLICATION SPEC 114-2014	SHEET 1 OF 1	
	WEIGHT -	RESTRICTED CUSTOMER DRAWING	